



MEAN WELL

SWITCHING POWER SUPPLY
ISO-9001 CERTIFIED MANUFACTURER

D-120 SERIES

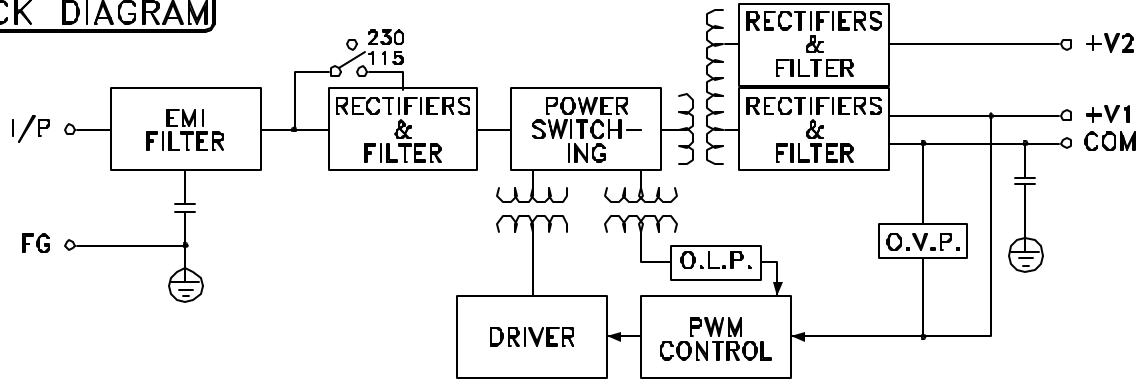
- .LOW COST, HIGH RELIABILITY
- .105°C OUTPUT CAPACITOR
- .INTERNATIONAL AC INPUT RANGE
- .HIGH EFFICIENCY, LOW WORKING TEMPERATURE
- .SOFT-START CIRCUIT, LIMITING AC SURGE CURRENT
- .SHORT CIRCUIT, OVERLOAD, OVER VOLTAGE PROTECTED
- .COMPACT SIZE, LIGHT WEIGHT
- .100% FULL LOAD BURN-IN TEST
- .BUILT IN EMI FILTER, LOW RIPPLE NOISE



SPECIFICATION	D-120A		D-120B	
	CH1	CH2	CH1	CH2
DC OUTPUT VOLTAGE	5V	12V	5V	24V
OUTPUT V. TOLERANCE	±2%	±6%	±2%	±7%
OUTPUT RATED CURRENT	12A	5A	6A	4A
OUTPUT CURRENT RANGE	2-12A	0.5-5A	2-10A	0.4-4A
RIPPLE & NOISE	60mVp-p	120mVp-p	60mVp-p	150mVp-p
LINE REGULATION	±0.5%	±1%	±0.5%	±1%
LOAD REGULATION	±0.5%	±5%	±0.5%	±6%
DC OUTPUT POWER	120W		126W	
EFFICIENCY	78%		80%	
DC VOLTAGE ADJ.	CH1:±10,-5%		CH1:±10,-5%	
INPUT VOLTAGE RANGE	88~132VAC / 176~264VAC SELECTED BY SWITCH 47~63Hz; 248~370VDC			
AC CURRENT	2.5A/115V 1.25A/230V			
INRUSH CURRENT	COLD START 35A			
LEAKAGE CURRENT	<3.5mA/240VAC			
OVERLOAD PROTECTION	105%~135% TYPE:OUTPUT SHUTDOWN RESET:RECYCLE AC ON / OFF			
OVER VOLTAGE PROTECTION	CH1:5.75V~6.75V			
OVER TEMP. PROTECTION	-----			
TEMP. COEFFICIENT	±0.03% / °C (0~50°C) ON +5V OUTPUT			
SETUP, RISE, HOLD UP TIME	200ms, 50ms, 20ms			
VIBRATION	10~500Hz, 2G 10min./1cycle, PERIOD FOR 60min. EACH AXES			
WITHSTAND VOLTAGE	I/P-O/P:3KVAC I/P-FG:1.5KVAC O/P-FG:0.5KVAC			
ISOLATION RESISTANCE	I/P-O/P, I/P-FG, O/P-FG:500VDC / 100M Ohms			
WORKING TEMP., HUMIDITY	-10°C~+60°C(REFER TO OUTPUT DERATING CURVE), 20%~90% RH			
STORAGE TEMP., HUMIDITY	-20°C~+85°C, 10%~95% RH			
DIMENSION	199*110*50mm CASE:906			
WEIGHT	0.85Kgs			
SAFETY STANDARDS	UL1950, TUV EN60950 APPROVED			
EMC STANDARDS	CISPR22 (EN55022) CLASS B, IEC801-2,3,4, IEC555-2 VERIFICATION			

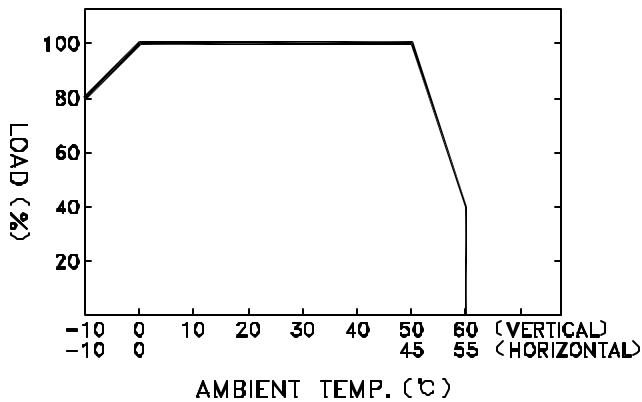
- NOTE :
- 1.ALL PARAMETERS ARE SPECIFIED AT 230VAC INPUT, RATED LOAD, 25°C 70% RH. AMBIENT.
 - 2.TOLERANCE GINCLUDE SET UP TOLERANCE, LINE REGULATION, LOAD REGULATION.
 - 3.RIPPLE & NOISE ARE MEASURED AT 20MHz BY USING A 12" TWISTED PAIR TERMINATED WITH A 0.1uF & 47uF CAPACITOR.
 - 4.LINE REGULATION IS MEASURED FROM LOW LINE TO HIGH LINE AT RATED LOAD.
 - 5.LOAD REGULATION IS MEASURED FROM 20% TO 100% RATED LOAD, AND OTHER OUTPUT AT 60% RATED LOAD.
 - 6.EACH OUTPUT PROVIDE UP TO MAXIMUM CURRENT, BUT TOTAL LOAD CAN NOT EXCEED MAX. OUTPUT POWER.
 - 7.C2,3,11 MUST BE REMOVED.

BLOCK DIAGRAM

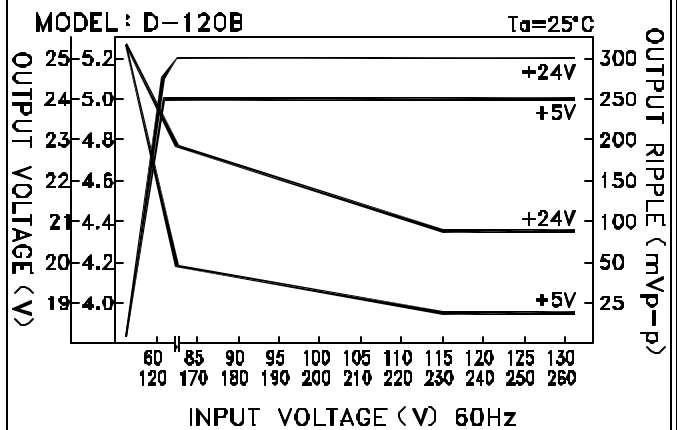


fosc : 28KHz

OUTPUT DERATING



STATIC CHARACTERISTICS



DIMENSION (mm)

- ☒ CASE : 906
- ☒ TERMINAL PIN NO. ASSIGNMENT
 - ☒ PIN 1,2 : AC INPUT
 - ☒ PIN 3 : FG \oplus
 - ☒ PIN 4 : DC OUTPUT +V2
 - ☒ PIN 5,6 : DC OUTPUT COM
 - ☒ PIN 7,8 : DC OUTPUT +V1

