

DRA18 SERIES



AC - DC DIN RAIL MOUNTABLE
18W CLASS 2 POWER SUPPLY
INDUSTRIAL CONTROL EQUIPMENT

FEATURES

- UL / cUL / TUV / CE
- UNIVERSAL INPUT 90~265VAC
- HIGH EFFICIENCY UP TO 77%
- SHORT CIRCUIT PROTECTION
- INTERNAL INPUT FILTER
- 2 YEARS WARRANTY

MODEL LIST

MODEL NO.	INPUT VOLTAGE	OUTPUT WATTAGE	OUTPUT VOLTAGE	OUTPUT CURRENT	EFF. (typ.)	EFF. (min.)
Single Output Models						
DRA18-05A	90~265 VAC	15 WATTS	+ 5 VDC	3000 mA	75%	73%
DRA18-12A	90~265 VAC	18 WATTS	+ 12 VDC	1500 mA	77%	75%
DRA18-15A	90~265 VAC	18 WATTS	+ 15 VDC	1200 mA	77%	75%
DRA18-24A	90~265 VAC	18 WATTS	+ 24 VDC	750 mA	77%	75%

SPECIFICATION

All Specifications Typical At Nominal Line, Full Load, 25°C Unless Otherwise Noticed

GENERAL

Characteristics	Conditions	min.	typ.	max.	unit
Switching frequency	Vi nom, Io nom	100			KHz
Isolation voltage	Input / Output	3,000			VAC
Isolation resistance	Input / Output, @ 500VDC	100			MΩ
Ambient temperature	Operating at Vinom, Io 70%...100%	-10		+ 50	°C
Derating	Vi nom, Io nom +51 to +71°C			2	% / °C
Storage temperature	Non operational	-25		+ 85	°C
M.T.B.F.	According to MIL-HDBK-217F, GF40		195,000		Hrs
Relative humidity	Vi nom, Io nom	20		95	% RH
Dimension	L90 x W22.5 x D115				mm
Cooling	Free air convection				
Case material	Plastic				

INPUT SPECIFICATIONS

Characteristics	Conditions	min.	typ.	max.	unit
Rated input voltage	Io nom	100		240	VAC
Input voltage range	Ta min ... Ta max, Io nom	AC in	90	265	VAC
		DC in	120	370	VDC
Line frequency	Vi nom, Io nom	47		63	Hz
Inrush current	Io nom	Vi : 115VAC		10	A
		Vi : 230VAC		18	A

SPECIFICATION

All Specifications Typical At Nominal Line, Full Load, 25°C Unless Otherwise Noticed

OUTPUT SPECIFICATIONS

Characteristics	Conditions	min.	typ.	max.	unit
Output voltage accuracy	Vi nom, Io min ...Io nom			± 1	%
Minimum load	Vi nom	0			%
Line regulation	Io nom, Vi min ...Vi max			± 1	%
Load regulation	Vi nom, Io min ...Io nom			± 2	%
Transient recovery time	50% load step changed		300		μS
Temperature coefficient	Vi nom, Io min			± 0.02	% / °C
Ripple & noise	Vi nom, Io nom, BW = 20MHz			50	mV
Hold up time	Io nom	Vi = 115VAC	20		ms
		Vi = 230VAC	75		ms
Voltage trim range	Vi nom, Io nom	5V ...15V models	- 10	+ 15	%
		24V model	- 10	+ 20	%
DC ON indicator threshold at start up	Vi nom, Io nom	5V model	4.5		VDC
		12V model	10.8		VDC
		15V model	13.5		VDC
		24V model	21.6		VDC
DC LOW indicator threshold after start up	Vi nom, Io nom	5V model	3.75	4.5	VDC
		12V model	9	10.8	VDC
		15V model	11.25	13.5	VDC
		24V model	18	21.6	VDC
Efficiency	Vi nom, Io nom, Po / Pi	Up to 77%, See model list			

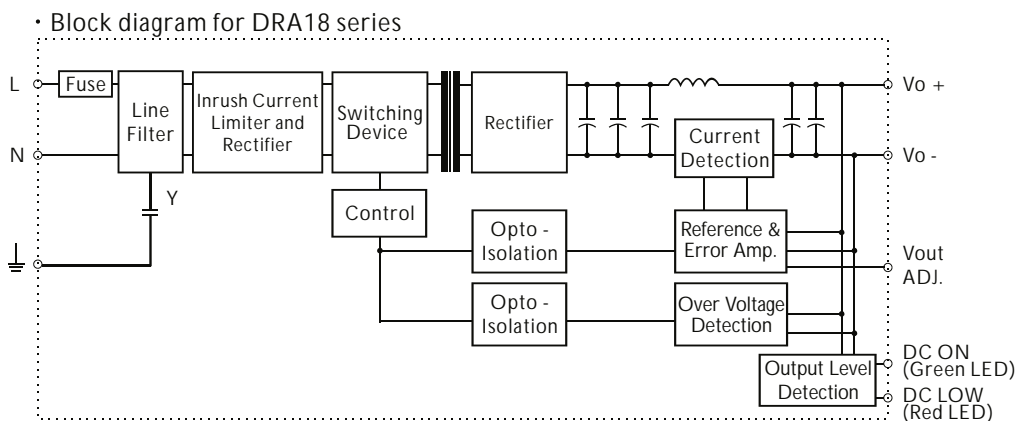
CONTROL AND PROTECTION

Characteristics	Conditions	min.	typ.	max.	unit
Input fuse		T2A / 250VAC internal			
Rated over load protection	Vi nom	110		135	%
Over voltage protection	Vi nom, Io nom	125		145	%
Output short circuit	Vi nom, Io nom	Hiccup mode			

APPROVALS AND STANDARDS

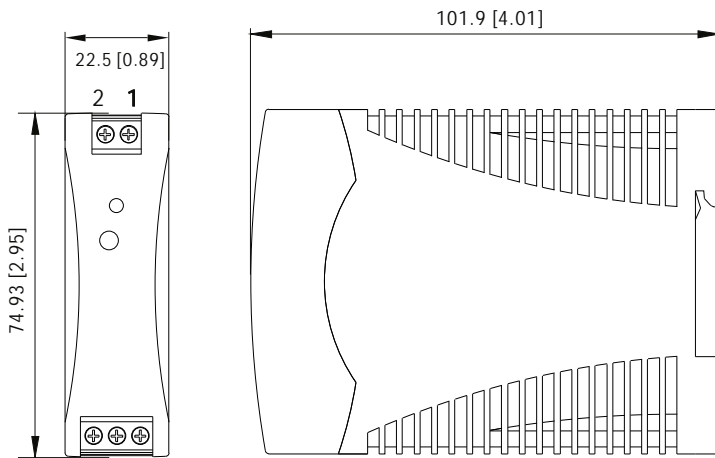
UL / cUL	UL508 / UL1310 Listed, Class 2 Power Supply
TUV	EN60950
CE	EN50081-1 / EN55022 for EMI EN50082-1 / EN55024 for EMS
FCC	Class B

CIRCUIT SCHEMATIC



MECHANISM & PIN CONFIGURATION

mm [inch]



CONSTRUCTION

Easy snap-on mounting onto the DIN-Rail (TS35/7.5 or TS35/15), unit sits safely and firmly on the rail; no tools required even to remove

INSTALLATION

Ventilation / Cooling
 Normal convection
 Above/below 25m/m free space
 For cooling recommended
 Connector size range
 Solid:0.2-2.0mm²(AWG24-14)
 (use copper conductors only)

PHYSICAL CHARACTERISTICS

CASE SIZE	90 x 22.5 x 115 mm 3.6 x 0.89 x 4.53 inches
CASE MATERIAL	Plastic
WEIGHT	150 g

PIN ASSIGNMENT

PIN NO.		Designation	Description
1	OUT	V +	Positive output terminal
2		V -	Negative output terminal
3	IN	⊥	Ground this terminal to minimize high-frequency emissions
4		N	Input terminals (neutral conductor, no polarity at DC input)
5		L	Input terminals (phase conductor, no polarity at DC input)
	OTHER	ON	Operation indicator LED
		LO	DC LOW indicator LED
		Vout ADJ.	Trimmer-potentiometer for Vout adjustment

DERATING

