

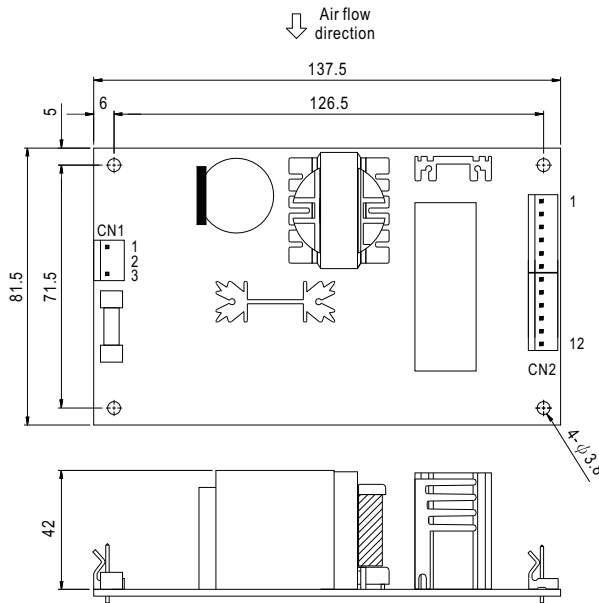
- Features :
- Universal AC input / Full range
 - Protections: Short circuit/Over load/Over voltage
 - Peak power capability 75W(1min.)
 - Small and compact size
 - With power good signal output
 - Built-in remote ON-OFF control
 - Standby 5V @0.5A and logic inhibit
 - 100% full load burn-in test
 - Low cost
 - 2 years warranty

SPECIFICATION

MODEL	CH1	CH2	CH3	SB	
OUTPUT	DC VOLTAGE	5V	3.3V	12V	5V
	RATED CURRENT	6A	2A	1.5A	0.5A
	CURRENT RANGE	0.6A ~ 8A	0.3A ~ 3A	0.2A ~ 2A	0.1A ~ 0.5A
	RATED POWER	57.1W			
	PEAK LOAD(1min.) <small>Note.4</small>	75W			
	RIPPLE & NOISE (max.) <small>Note.2</small>	100mVp-p	100mVp-p	200mVp-p	150mVp-p
	VOLTAGE ADJ. RANGE	FIXED CH1			
	VOLTAGE TOLERANCE <small>Note.3</small>	±5.0%	±8.0%	±8.0%	±5.0%
	LINE REGULATION	±1.0%	±2.0%	±2.0%	±1.0%
	LOAD REGULATION	±3.0%	±5.0%	±5.0%	±3.0%
SETUP, RISE, HOLD TIME	600ms, 20ms, 50ms/230VAC		600ms, 20ms, 12ms/115VAC		
INPUT	VOLTAGE RANGE	90 ~ 264VAC 127 ~ 370VDC			
	FREQUENCY RANGE	47 ~ 63Hz			
	EFFICIENCY(Typ.)	72%			
	AC CURRENT	2A/115VAC 1A/23VAC			
	INRUSH CURRENT(max.)	COLD START 20A/115VAC 45A/230VAC			
	LEAKAGE CURRENT	<1mA/ 240VAC			
PROTECTION	OVER LOAD	78 ~ 98W(1min.) rated output power Protection type : Shut down o/p voltage, re-power on to recover			
	OVER VOLTAGE	5.75VDC ~ 6.75VDC on CH1 ; 5.25VDC ~ 6.25VDC on SB Protection type : Shut down o/p voltage, re-power on to recover			
FUNCTION	REMOTE CONTROL(PS)	PS-GND Short: power on ; PS-GND open: power off (only 5VSB output)			
	POWER GOOD	≥ 100ms After CH1:+5V Rise to 4.5V			
	POWER FAIL	≥ 1ms			
ENVIRONMENT	WORKING TEMP.	-10 ~ +65°C (Refer to output load derating curve)			
	WORKING HUMIDITY	20 ~ 90% RH non-condensing			
	STORAGE TEMP., HUMIDITY	-20 ~ +85°C, 10 ~ 95% RH			
	TEMP. COEFFICIENT	±0.05%/°C (0 ~ 50°C) ON +5V output			
	VIBRATION	10 ~ 500Hz, 2G 10min./1cycle, period for 60min. each along X, Y, Z axes			
SAFETY & EMC	SAFETY STANDARDS	Design refer to UL60950, TUV EN60950			
	WITHSTAND VOLTAGE	I/P-O/P:3KVAC I/P-FG:1.5KVAC O/P-FG:0.5KVAC			
	ISOLATION RESISTANCE	I/P-O/P, I/P-FG, O/P-FG:100M Ohms			
OTHERS	MTBF	315Khrs min. MIL-HDBK-217F (25°C)			
	DIMENSION	137.5*81.5*42mm (L*W*H)			
	PACKING	0.33Kg; 40pcs/14Kg/1.24CUFT			
NOTE	<p>1. All parameters NOT specially mentioned are measured at 230VAC input, rated load and 25°C of ambient temperature.</p> <p>2. Ripple & noise are measured at 20MHz of bandwidth by using a 12" twisted pair-wire terminated with a 0.1uf & 47uf parallel capacitor.</p> <p>3. Tolerance : includes set up tolerance, line regulation and load regulation.</p> <p>4. 10% Duty cycle maximum within every 10 min. Average output power should not exceed the rated power.</p>				

Mechanical Specification

Unit:mm



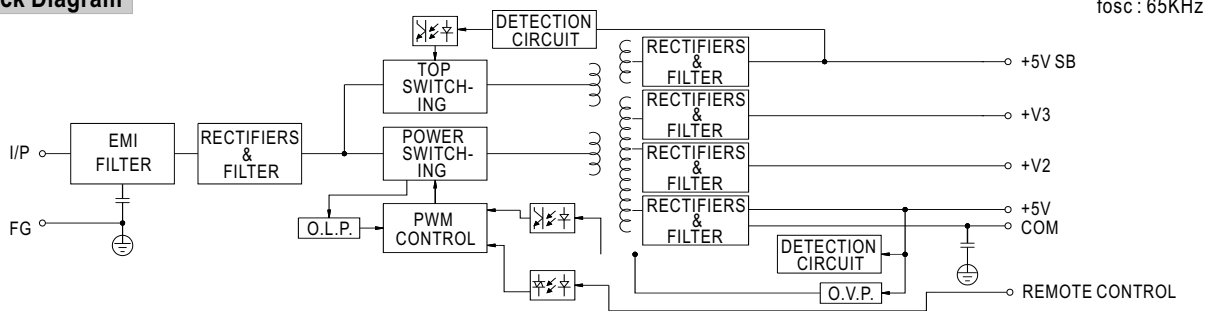
AC Input Connector (CN1) : MOLEX 5273-03 or equivalent

Pin No.	Assignment	Mating Housing	Terminal
1	AC/N	MOLEX 5195 or equivalent	MOLEX 5194 or equivalent
2	No Pin		
3	AC/L		

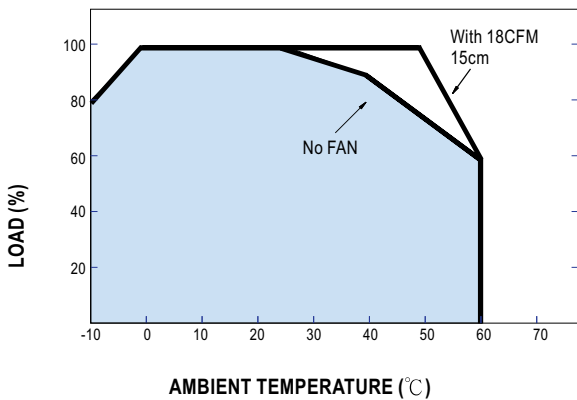
DC Output Connector (CN2) : MOLEX 5273-6*2 or equivalent

Pin No.	Assignment	Pin No.	Assignment	Pin No.	Assignment
1	+12V	6,7,8,9	GND	12	PG
2,3	+5V	10	RC		
4,5	+3.3V	11	5Vsb		

Block Diagram



Derating Curve



Static Characteristics

