



MEAN WELL

SWITCHING POWER SUPPLY

ISO-9001 CERTIFIED MANUFACTURER

TP-150 SERIES

- .LOW COST, HIGH RELIABILITY
- .105°C OUTPUT CAPACITOR
- .INTERNATIONAL AC INPUT RANGE
- .HIGH EFFICIENCY, LOW WORKING TEMPERATURE
- .SOFT-START CIRCUIT, LIMITING AC SURGE CURRENT
- .SHORT CIRCUIT, OVERLOAD, OVER VOLTAGE PROTECTED



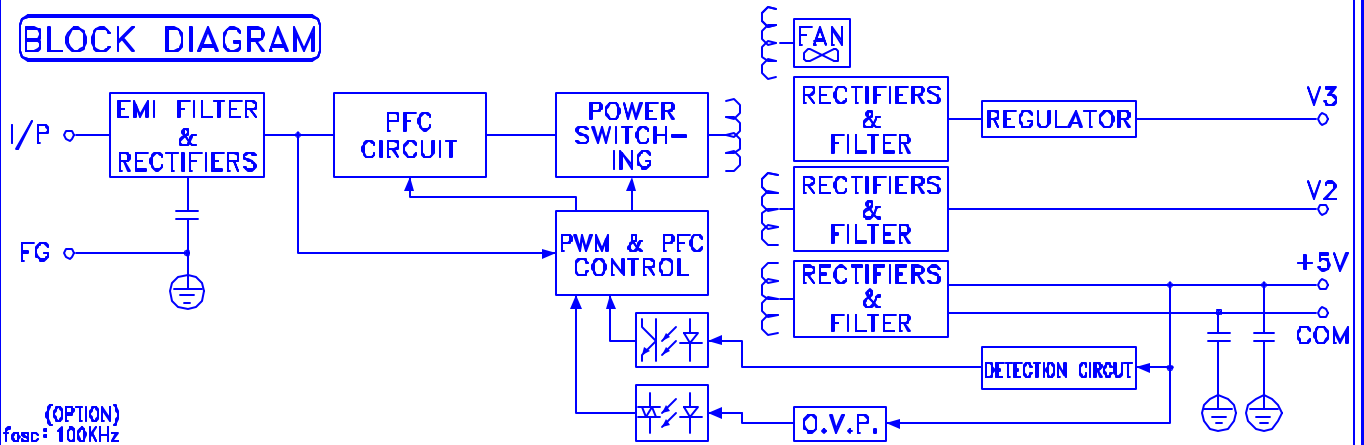
MODEL	TP-150A			TP-150B			TP-150C			TP-150D		
	CH1	CH2	CH3	CH1	CH2	CH3	CH1	CH2	CH3	CH1	CH2	CH3
DC OUTPUT VOLTAGE	5V	12V	-5V	5V	12V	-12V	5V	15V	-15V	5V	24V	-12V
OUTPUT V. TOLERANCE	±3%	±8%	±6%	±3%	±8%	±6%	±3%	+10, -6%	±6%	±3%	±8%	±6%
OUTPUT RATED CURRENT	15A	6A	0.6A	15A	5.5A	0.6A	15A	4.5A	0.6A	15A	3A	0.6A
OUTPUT CURRENT. RANGE	2-20A	0.4-7A	0-1A	2-20A	0.4-7A	0-1A	2-20A	0.4-6A	0-1A	2-20A	0.4-4A	0-1A
RIPPLE & NOISE	100mV	120mV	100mV	100mV	120mV	100mV	100mV	150mV	100mV	100mV	150mV	100mV
LINE REGULATION	±1%	±1%	±1%	±1%	±1%	±1%	±1%	±1%	±1%	±1%	±1%	±1%
LOAD REGULATION	±3%	±6%	±4%	±3%	±6%	±4%	±3%	±6%	±4%	±3%	±6%	±4%
MAX. OUTPUT POWER	150W			148.2W			151.5W			154.2W		
EFFICIENCY	75%			77%			77%			78%		
DC VOLTAGE ADJ.	CH1: +10%, -5%											
INPUT VOLTAGE RANGE	90-264VAC 47-63Hz ; 127-370VDC											
AC CURRENT	2.5A/115V 1.2A/230V											
INRUSH CURRENT	COLD START <=45A/230V											
LEAKAGE CURRENT	<3.5mA/240VAC											
OVERLOAD PROTECTION	105-150 % PULSE MODE RESET:AUTO RECOVERY											
OVER VOLTAGE PROTECTION	115%-135% ON +5V TYPE:SHUTDOWN RESET:RE POWER ON											
OVER TEMP.PROTECTION(OPTION)	95°C±5°C TSW1 TYPE:SHUTDOWN RESET:AUTO RECOVERY											
POWER FACTOR	PF>0.94/230VAC, PF>0.98/115VAC											
TEMP. COEFFICIENT	±0.03% / °C (0-50°C)											
SETUP,RISE,HOLD UP TIME	800ms, 60ms, 20ms / 230,115VAC											
VIBRATION	10-500Hz, 2G 3AXES 10min. / 1cycle (1 HOUR / EACH AXES)											
WITHSTAND VOLTAGE	I/P-O/P:3KVAC I/P-FG:1.5KVAC O/P-FG:0.5KVAC 1min.											
ISOLATION RESISTANCE	I/P-O/P,I/P-FG,O/P-FG:500VDC / 100M ohms											
WORKING TEMP., HUMIDITY	-10°C~+60°C(REFER TO OUTPUT DERATING CURVE), 20%-90% RH											
STORAGE TEMP., HUMIDITY	-20°C~+85°C, 10%~95% RH											
DIMENSION	199*90*50mm (L*W*H) CASE:916B											
WEIGHT	800gs											
SAFETY STANDARDS	MEET UL1950,TUV EN60950											
EMC STANDARDS	MEET EN55022 CLASS B, EN61000-4-2,3,4,5,6,8,11; ENV50204, EN61000-3-2,-3, EN55024											

NOTE :

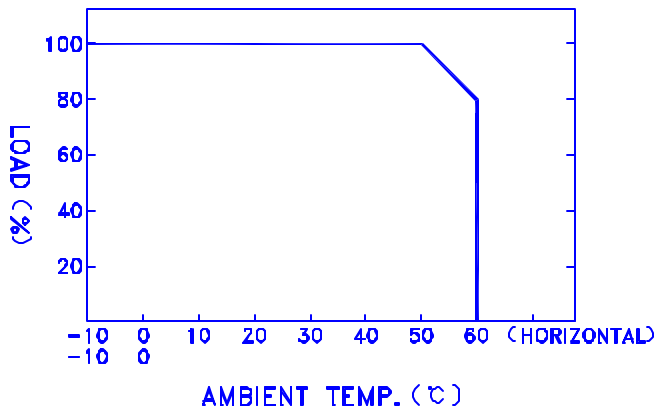
- 1.ALL PARAMETERS ARE SPECIFIED AT 230VAC INPUT, RATED LOAD, 25°C 70% RH. AMBIENT.
- 2.TOLERANCE INCLUDE SET UP TOLERANCE, LINE REGULATION, LOAD REGULATION.
- 3.RIPPLE & NOISE ARE MEASURED AT 20MHz BY USING A 12" TWISTED PAIR TERMINATED WITH A 0.1uF & 47uF CAPACITOR.
- 4.LINE REGULATION IS MEASURED FROM LOW LINE TO HIGH LINE AT RATED LOAD.
- 5.OUTPUT PROVIDE UP TO MAXIMUM CURRENT, BUT TATAL OUTPUT CAN NOT EXCEED MAX. OUTPUT POWER MAXIMUM OUTPUT POWER.
- 6.MOUNTING HOLES M1 AND M2 SHOULD BE GROUNDED FOR EMI PURPOSES.

2002-02-19

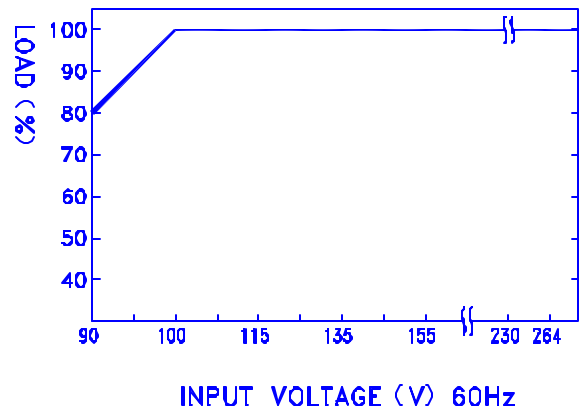
BLOCK DIAGRAM



OUTPUT DERATING VS T_d



OUTPUT DERATING VS INPUT VOLTAGE



DIMENSION (mm)

- ☒ CASE : 916B
- ☒ TERMINAL PIN NO. ASSIGNMENT
 - ☒ PIN 1,2 : AC INPUT
 - ☒ PIN 3 : FG \perp
 - ☒ PIN 4 : DC OUTPUT V3
 - ☒ PIN 5 : DC OUTPUT V2
 - ☒ PIN 6,7 : DC OUTPUT V1
 - ☒ PIN 8,9 : DC OUTPUT COM

